

A tall, white, rectangular industrial oil mist filtration system. The unit features a control panel on the right side with a digital display and several indicator lights. On the left side, there are three circular ports. The unit is mounted on a base with a large circular outlet at the bottom right. The MANN+HUMMEL logo is printed in green on the front panel.

**MANN+  
HUMMEL**

ScandMist 200D  
Oil mist filtration  
system

ScandMist

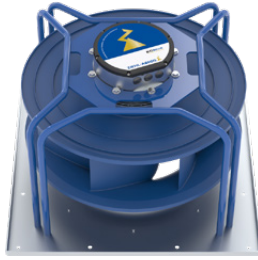
# ScandMist 200D

## Oil mist filtration system

General	Product	Units	ScandMist 200D Gen 2.5
	Application		Emulsion
	Capacity (nominal)	CFM	1200
	Part Number		A1B20DB000000A
<b>Connections</b>	Inlet type		Jacobs
	Inlet Diameter	Inches	8
	Drain		2 off, 2" Threaded (BS 21) Female
	Air Inlet Options		Left/Right
	Exhaust		On top
<b>Filters</b>	Filters/Stage		1
	Pre-filter		Not included
	Stage 1 Filter		9709006026
	Stage 2 Filter		9709006027
	Stage 3 Filter		5211343315
	Final Pressure Drop	Pa	2040
<b>Motor Options</b>	<b>Type</b>		<b>Electrically commutated</b>
	Part number		9709016094
	Quantity		1
	Mains Supply		3- 400V 50Hz/60Hz
	Ventilation		TEFC
	Power	HP	5
	Maximum Current	A	4.6
	Speed	RPM	Max 4100
	Environmental Protection		IP54
<b>Physical properties</b>	Width	Inches	30
	Height	Inches	73
	Depth	Inches	26
	Weight	lbs	Clean filters: 463, Wet filters: 584
	Noise Level	dB(A)	<69
	Fan		Backward Bent Blades
	Finish		Powder coating inside and outside
<b>Controls</b>	Control System		Micaflex MF-PFA
	Differential Pressure Gauges		3 off
<b>Options</b>	Oil pump		Not included
	Level sensor		Not included
	Spray		Not included
	Silencer		Insulated fan housing

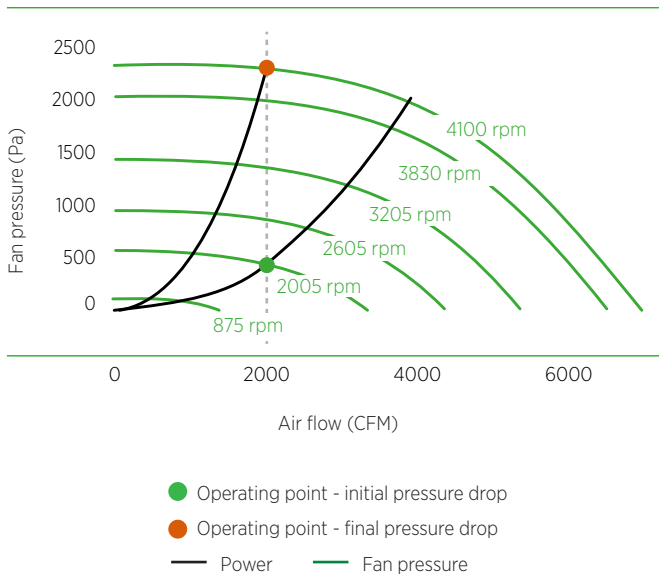
## EC fan and motor

The standard EC fan and motor delivers good energy efficiency with quiet operation.



## Connecting interface

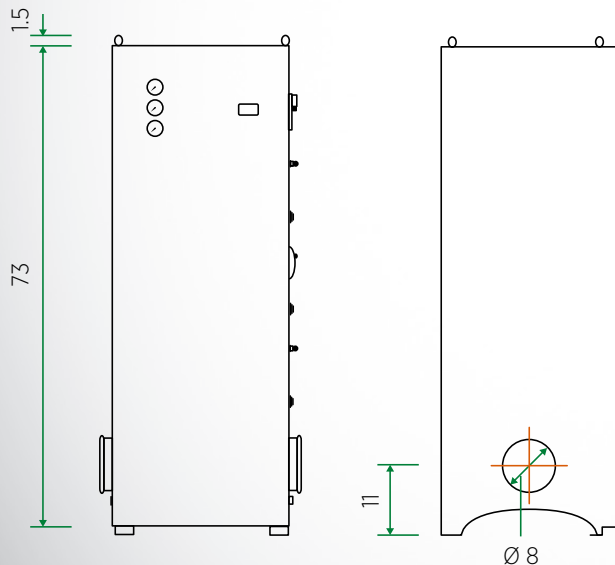
Wiring via a Harting male/female connector. Quick and easy installation with all connecting interfaces at one spot.



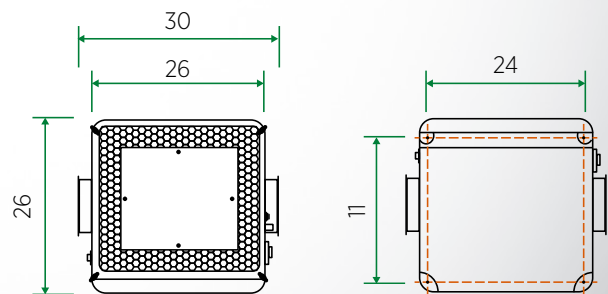
Power		Signal exchange		
1	L1	1	+24V	Power
2	L2	2	M	
3	L3	3	ON/OFF	Machine or switch
4	N	4	M	
5	PE	5	AL1	Alarm 1, Motor/Power
		6	M	
		7	AL2	Alarm 2, System pressure high/low/operation signal
		8	N	
		9	AL3	Alarm 3, System pressure high/low/operation signal
		10	N	
		11	Reset	Reset for alarms
		12	N	
		13	AI2	Analog output 2 of MicaflexMF-PFA
		14	N	

## Dimensions and weight

Units: Inches



Weight	lbs
Empty	342
Clean filters	462
Wet filters	583





0518 Printed in Germany © MANN+HUMMEL

**MANN+  
HUMMEL**

(866) 778-0007

scandmist.us