

A photograph of a white, vertical industrial oil and smoke filtration system. The system has a textured surface and features several components: two circular gauges at the top left, a small black rectangular panel, a white electrical control box with a red and black switch, and several black and red fittings. The brand name 'MANN+HUMMEL' is printed in green on the left side. A semi-transparent dark grey box is overlaid on the right side of the image, containing white text.

MANN+  
HUMMEL

ScandMist 200R  
Oil smoke filtration  
system

# ScandMist 200R

## Oil smoke filtration system

General	Product	Units	ScandMist 200R Gen 2.5
	Application		Neat Oil
	Capacity (nominal)	CFM	1200
	Part Number		A1B20RB000000A
<b>Connections</b>	Inlet type		Jacobs
	Inlet Diameter	Inches	12
	Drain		2 off, 2" Threaded (BS 21) Female
	Air Inlet Options		Left/Right
	Exhaust		On top
<b>Filters</b>	Filters/Stage		2
	Pre-filter		Not included
	Stage 1 Filter		9709006037
	Stage 2 Filter		9709006038
	Stage 3 Filter		800530024917
	Final Pressure Drop	Pa	2040
<b>Motor Options</b>	<b>Type</b>		<b>Electrically commutated</b>
	Part number		9709016094
	Quantity		2
	Mains Supply		3- 400V 50Hz/60Hz
	Ventilation		TEFC
	Power	HP	2 x 5
	Maximum Current	A	9.2
	Speed	RPM	Max 4100
	Environmental Protection		IP54
<b>Physical properties</b>	Width	Inches	30
	Height	Inches	78
	Depth	Inches	52
	Weight	lbs	Clean filters: 815, Wet filters: 1003
	Noise Level	dB(A)	<69
	Fan		Backward Bent Blades
	Finish		Powder coating inside and outside
<b>Controls</b>	Control System		Micaflex MF-PFA
	Differential Pressure Gauges		3 off
<b>Options</b>	Oil pump		Not included
	Level sensor		Not included
	Spray		Not included
	Silencer		Insulated fan housing

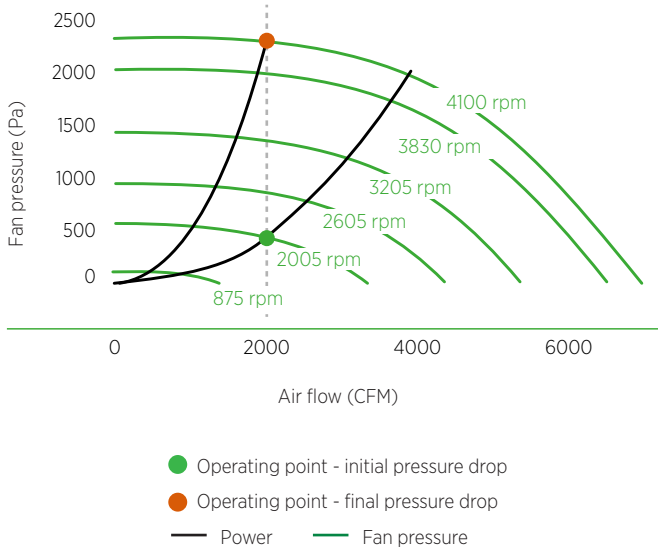
## EC fan and motor

The standard EC fan and motor delivers good energy efficiency with quiet operation.



## Connecting interface

Wiring via a Harting male/female connector. Quick and easy installation with all connecting interfaces at one spot.

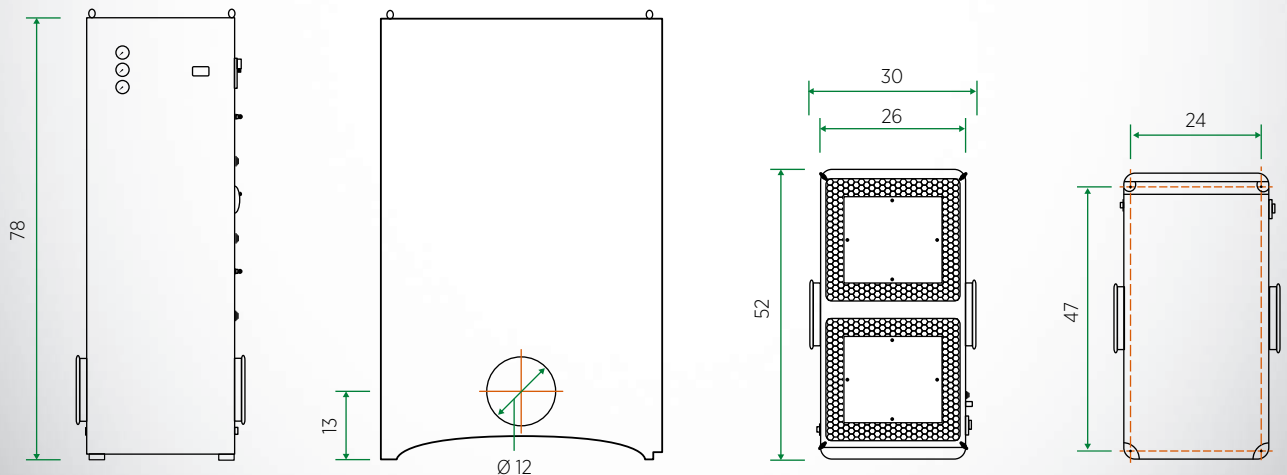


Power		Signal exchange		
1	L1	1	ON/OFF (make contact)	Input: ON/OFF
2	L2	2	M	
3	L3	3	Output Signal: In Operation	Output: In Operation
4	N	4	M	
5	PE	5	AL1	Alarm 1, Motor/Power
		6	M	
		7	AL2	Alarm 2, System pressure high/low/operation signal
		8	N	
		9	AL3	Alarm 3, System pressure high/low/operation signal
		10	N	
		11	Reset	Reset for alarms
		12	N	
		13	AI2	Analog output 2 of Micaflex MF-PFA
		14	N	

## Dimensions and weight

Units: Inches

Weight	lbs
Empty	572
Clean filters	814
Wet filters	1001





0818 Printed in Germany © MANN+HUMMEL

ScandMist

(866) 778-1111

scandmist.us